



Triple Eccentric High Performance Butterfly Valves, Flanged Type Series 83F

- **Size Range**

DN65 to DN1800 (2½" to 72")

- **Body Material**

CF8M/CF8/WCB

- **Pressure Rating**

ANSI CLASS 150, CLASS 300

- **Temperature Range**

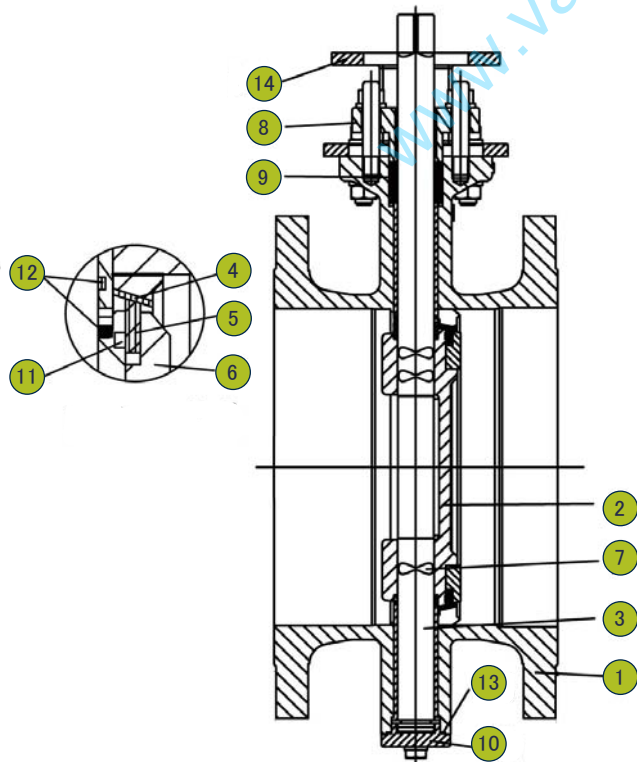
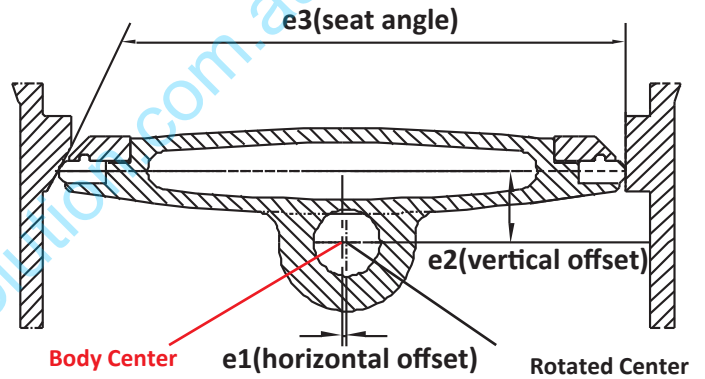
Laminated seat -103°F ~ 1022°F (-75°C~550°C)
Solid metal seat -321°F ~ 1400°F (-196°C~760°C)

- **Operation**

Gear box
Pneumatic actuation
Electric actuation

- **Design feature**

- Virtually no rubbing from the resilient seal on the seating surface. This enhances the life and performance of the elastomeric disc seal and thereby preventing wear and consequent leakage.
- Disc seal ring designed to be flex could self-adjustment in different pressure and temperature and compress elastically on sealing surface to achieve the best sealing function.
- Body seat with satellite #21 hard face overlay provide long service life, other materials is available on customer request.

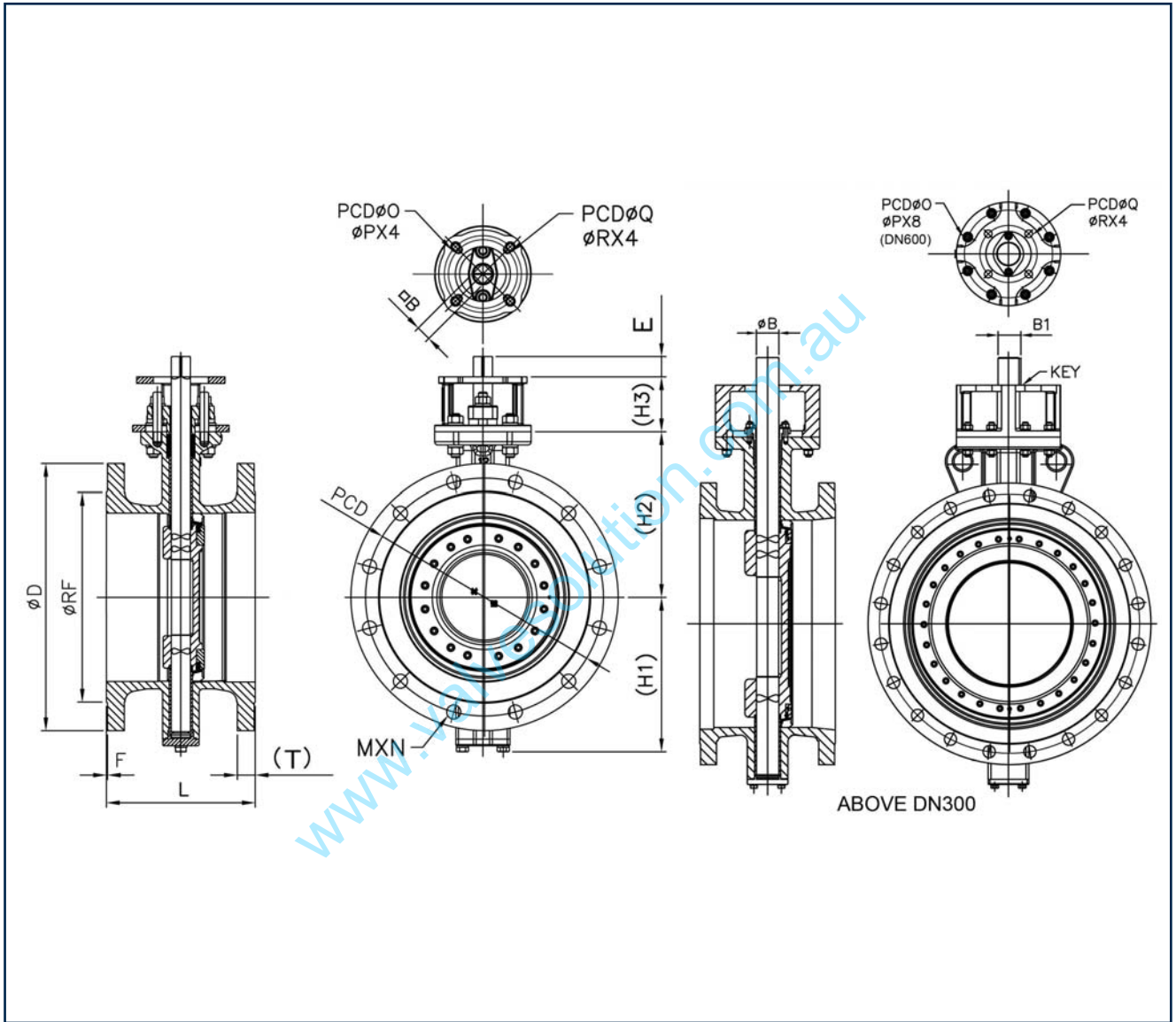


- **Materials of structure**

No.	Parts Name	Materials	Remark
1	Body	A351 CF8	
		A351 CF8M	
		A216 WCB	
2	Disc	Same as body	
3	Stem	A564 Gr.630	
		A479 XM-19 A182 F6A Class 3	
4	Body Seat	Stellited	
5	Disc Seat Ring	A240 316+GRAPHITE	
		A240 304+GRAPHITE	
		UNS S32205+GRAPHITE	
6	Retainer	A351 CF8	
		A351 CF8M	
7	Pin	A182 F316	
8	Gland	A351 CF8(body WCB)	
		Same as body	
9	Gland Packing	Graphite	
10	Bottom Cover	Same as body	
11	Gasket	Graphite	
12	Seal	Graphite	
13	Bottom Packing	Graphite	
14	Yoke	A216 WCB	Above 20"
		A536 65-45-12	



Triple Eccentric High Performance Butterfly Valves, Flanged Type
Series 83F



• DIMENSIONS

Valve Size		L	H1	H2	H3	E	O	P	Q	R	B	B1	Key	ASME Class 150					
NPS	MM													PCD	M x N	D	RF	F	T
3"	80	180	137	145	60	18	70	9	50	7	11	--	--	152.4	19x4	190	127	2	25
4"	100	190	140	155	60	18	70	9	50	7	11	--	--	190.5	19x8	229	158	2	24
6"	150	210	177	200	70	24	102	11	70	9	14	--	--	362	19x8	405	325	2	31
8"	200	230	204	225	70	28	102	11	70	9	19	--	--	295.5	23x8	345	270	2	29
10"	250	250	252	270	80	28	125	14	102	11	22	--	--	362	23x12	405	324	2	31
12"	300	270	281	300	100	37	140	18	125	14	27	--	--	431.8	25x12	483	381	2	32
14"	350	290	317	355	100	55	140	18	125	14	41.7	--	12x8	476.3	25x12	535	413	2	35
16"	400	310	351	385	120	55	165	22	140	18	44.7	--	12x8	539.8	25x16	595	470	2	37
18"	450	330	376	415	120	65	165	22	140	18	49.7	53	16x10	577.9	32x16	635	533	2	40
20"	500	350	411	455	120	65	165	22	140	18	54.7	59	16x10	635	32x20	700	584	2	44
24"	600	390	476	540	150	80	165	22	--	--	64.7	69.2	18x12	749.3	36x20	815	692	2	44